

## GCL系列铬酸过滤器

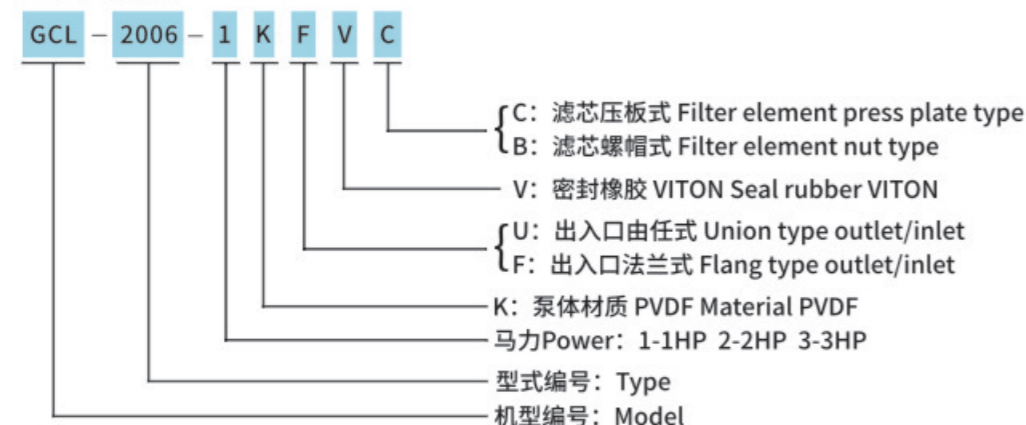
GCL SERIES BICHROMATE FILTER

### 产品特点 FEATURES

- 本机适合铬酸镀液循环过滤用。
  - 最高使用温度不能超过60°C。
  - 过滤桶部分采用PVC材质，泵浦部分采用PVDF材质。
  - 滤材部分采用锁帽式设计，密封性好，过滤面积广，药液接触部分无金属部件。
- This filter is applicable for circulating filtration of chromic acid plating solution.
- The maximum working temperature shall not exceed 60°C.
- The filter's vat part adopts PVC and the pump part adopts PVDF.
- The filter medium part adopts the locking nut design with good airtightness. Its filtration area is wide and there are no metal components for those contacting the liquid medicine.



### 型号识别 Model identification



### 规格表 Specifications

型号 Model	进出口径 In-outlet (mm)	极数 Poles	功率 Power (HP)	全扬程 Head (m)	全流量 Flow (L/min)
GCL-1004	25×25	2	1/3	3	40
GCL-2004	25×25	2	1/2	8	80
GCL-2006-1HP	40×40	2	1	8	160
GCL-2008-2HP	40×40	2	2	10	180
GCL-2012-2HP	40×40	2	2	11	220
GCL-2018-3HP	50×50	2	3	11	330

## GK一般型不锈钢过滤器

GK SERIES GENERAL STAINLESS STEEL FILTER



过滤筒采用上开式设计，不需要使用任何工具即可更换滤材。  
 滤筒材质：SUS304、SUS316，有内牙式及活动式法兰。  
 可过滤一般水中杂质，一般家庭用能完全将水中杂物过滤。  
 滤材分滤芯式及滤袋式。工作压力：8kg/cm<sup>2</sup>以内。

- The filter cartridge with open design, do not need to use any tools to replace the filter.
- Filter material: SUS304, SUS316, with internal teeth and movable flange.
- General can filter impurities in water, general household can completely filter debris in the water.
- Filter cartridge and bag type branch. Working pressure: 8kg/cm<sup>2</sup>.