

# GDV可空转立式耐酸碱泵浦

GDV SERIES DRY-RUNNING VERTICAL ACID AND ALKALINE RESISANT PUMP



**泵体采用FRPP PVDF材质能耐高温耐腐蚀  
干式液封设计，可防止马达轴承被化学气体侵蚀  
无轴封设计，不会因空运转而损坏  
适合蚀刻喷洗设备.废气洗涤塔冷却循环及搭配过滤器使用。**

Pump body adopts FRPP PVDF material ability of high temperature and corrosion resistance. Double layer dry liquid seal design, can prevent the erosion of motor bearing by chemical gas. Seal-less is designed, not damaged by dry-running. Suitable for etching spray cleaning equipment waste gas scrubber. Cooling loop and match filter to use.

## 型号识别 Model identification

GDV- 40 SK 5 5 V F B  
① ② ③ ④ ⑤ ⑥ ⑦ ⑧

①系列代码 Series Symbol	GDV
②出口口径 Discharge size	32:1-1/4" 40:1-1/2" 50:2"
③比重 Specific Weight	SK-1.1 SP-1.4
④马力 Motor Power	1:1HP 2:2HP 3:3HP 5:5HP 7.5:7.5HP 10:10HP

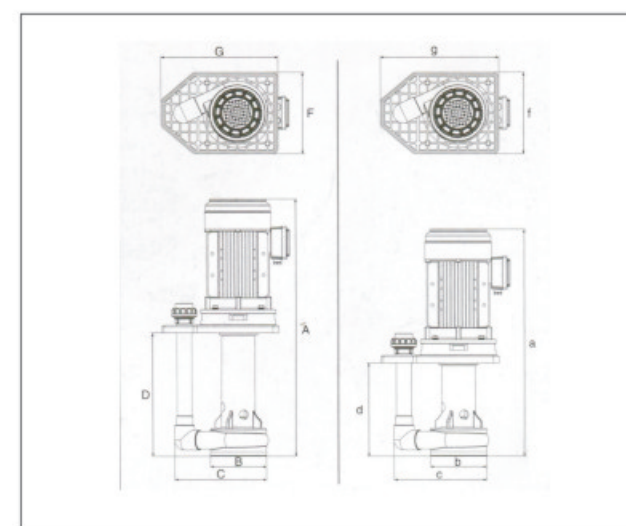
⑤频率 Frequency	5:50HZ 6:60HZ
⑥橡胶材质 Rubber Material	E:EPDM V:VITON
⑦泵浦材质 Pump Material	F:FRPP P:PVDF
⑧附注 Notes	B:采用FRPP材质之马达连接座 Motor spacer is FRPP

## 规格表 Specifications

型号 Model	比重 Specific Weight	进出口径 Diameter (mm)	功率Power		50HZ		60HZ		重量 Weight(Kg)
			HP	极速 Charge	全扬程 Total head (m)	全流量 Total capacity (L/min)	全扬程 Total head (m)	全流量 Total capacity (L/min)	
GDV-32SK-1	1.1	50/32	1	2	18	200	17	160	
GDV-40SK-1	1.1	50/40	1	2	18	210	16.5	170	
GDV-32SK-2	1.1	50/32	2	2	26	290	25	260	
GDV-40SK-2	1.1	50/40	2	2	26	380	24	300	
GDV-40SK-3	1.1	50/40	3	2	28	400	27	350	
GDV-50SK-5	1.1	50/50	5	2	32	560	30	520	
GDV-50SK-7.5	1.1	50/50	7.5	2	44	640	38	620	
GDV-50SK-10	1.1	50/50	10	2	46	700	43	690	
GDV-32SP-1	1.4	50/32	1	2	19	180	16	150	
GDV-40SP-1	1.4	50/40	1	2	17	190	16	160	
GDV-32SP-2	1.4	50/32	2	2	26	260	23	240	
GDV-40SP-3	1.4	50/40	3	2	28	330	25	320	
GDV-50SP-5	1.4	50/50	5	2	28.5	540	30	500	
GDV-50SP-7.5	1.4	50/50	7.5	2	41	620	38	580	
GDV-50SP-10	1.4	50/50	10	2	45	680	43	650	

## 外形尺寸图

Dimensional drawing ,part drawing



型号 Model	(长款) 尺寸Size (mm)					
	A	B	C	D	F	G
GDV-40(32)SK(P)-1	784	188	313	410	240	350
GDV-40(32)SK(P)-2	802	188	313	410	240	350
GDV-40SK(P)-3	827	188	313	410	240	350
GDV-50SK(P)-5	854	188	313	410	270	390
GDV-50SK(P)-7.5	825	232	370	415	336	465
GDV-50SK(P)-10	865	232	370	415	336	465

型号 Model	(长款) 尺寸Size (mm)					
	a	b	c	d	f	g
GDV-40(32)SK(P)-1	674	188	313	300	240	350
GDV-40(32)SK(P)-2	692	188	313	300	240	350
GDV-40SK(P)-3	717	188	313	300	240	350
GDV-50SK(P)-5	744	188	313	300	270	390
GDV-50SK(P)-7.5	728	232	370	315	336	465
GDV-50SK(P)-10	768	232	370	315	336	465